

## Datasheet

### GALEO BT - Bluetooth enabled keypad

#### Product Description

The GALEO BT is a keypad with remote electronics and 3 relays. Thanks to its Bluetooth connectivity, allows users to program their codes and manage settings using their smartphone with the free My Digicode app for Android and iOS.

My Digicode enables users to share an access via e-mail, not a code. Accesses offer multiple configuration options, including unlimited uses, specific hours on specific dates, or a quantity of times the access can be used.

My Digicode is also supplied with a widget for smartwatches to authorise access to a property.



#### Key Features

- Vandal-resistant Bluetooth keypad
- My Digicode app & widget available for Android and IOS
- Up to 100 user codes
- Blue backlit keypad keys
- Easy share access capabilities
- Internal or external use
- Available in silver or matte black

 Certification

 DEEE

**RoHS** Certification

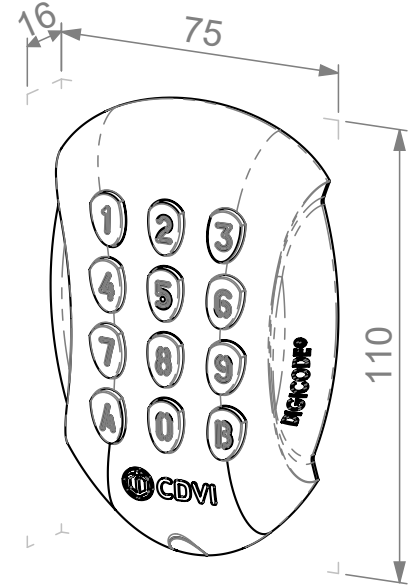
 IP64

 IK10

 -25°C to 70°C

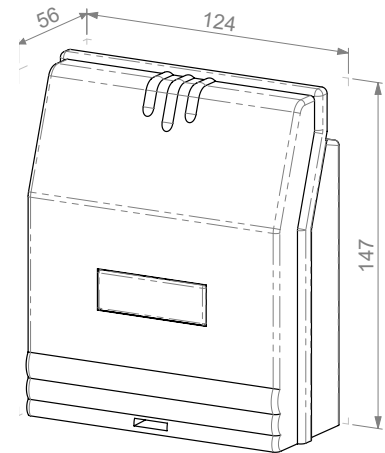
## Product Specifications

<b>Material:</b>	Zamak® cast alloy
<b>Mounting:</b>	Surface mount
<b>Technology:</b>	Bluetooth
<b>User limit:</b>	100
<b>Electronics:</b>	Remote
<b>Relays:</b>	3, pulse, timed or latched
<b>Contacts:</b>	C, NO, NC
<b>Code length:</b>	Min. 4, max. 5 digits
<b>Weight:</b>	0.54 kg



## Electrical Specifications

<b>Power input:</b>	12V to 24V AC or 12V to 48V DC
<b>Consumption:</b>	195 mA @ 12V DC



Download the My  
Digicode app now!



## Range References

F0201000047	GALEO BT	Bluetooth backlit keypad with remote electronics
F0201000068	GALEO BLACK	Bluetooth backlit keypad with remote electronics, black